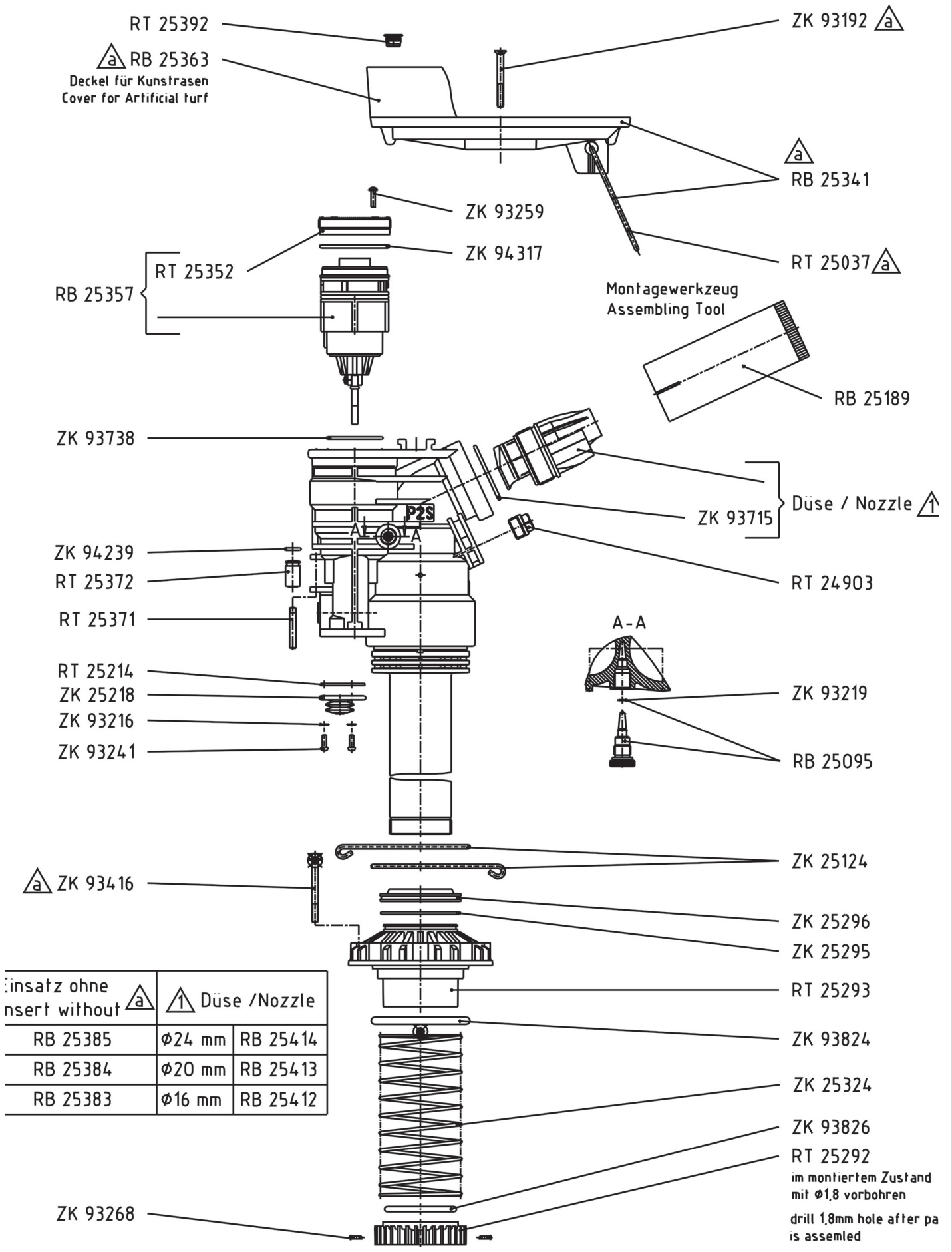


VP3 Einsatz / Insert



| Insert ohne insert without \triangle a | \triangle ↑ Düse /Nozzle | |
|---|----------------------------|----------|
| RB 25385 | ϕ 24 mm | RB 25414 |
| RB 25384 | ϕ 20 mm | RB 25413 |
| RB 25383 | ϕ 16 mm | RB 25412 |

